

THIS DRAWING IS UNPUBLISHED.

RELEASED FOR PUBLICATION

ALL RIGHTS RESERVED.

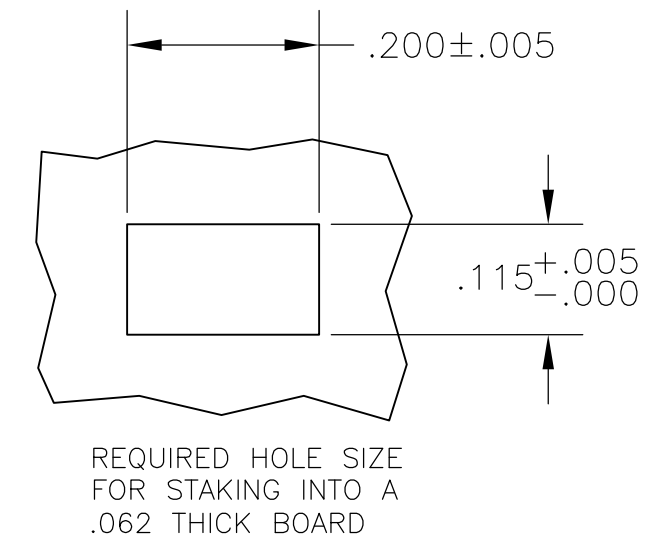
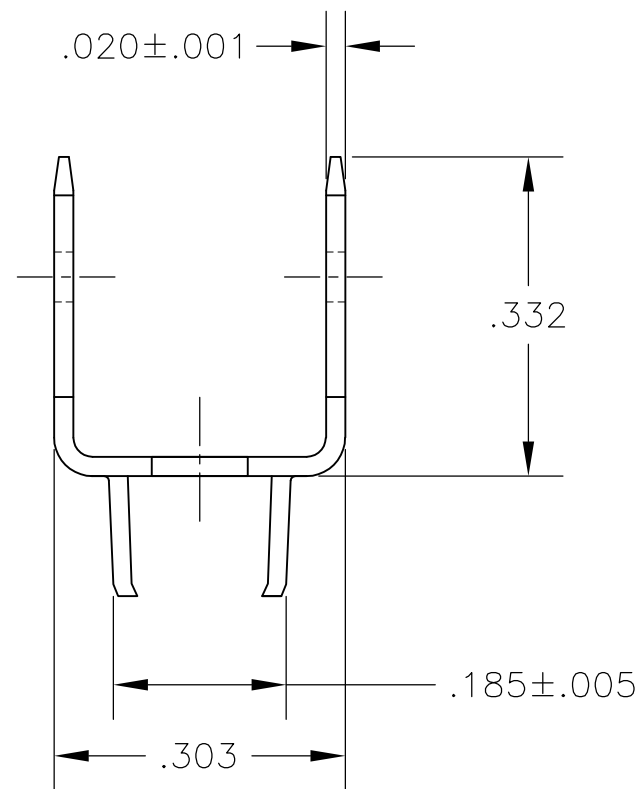
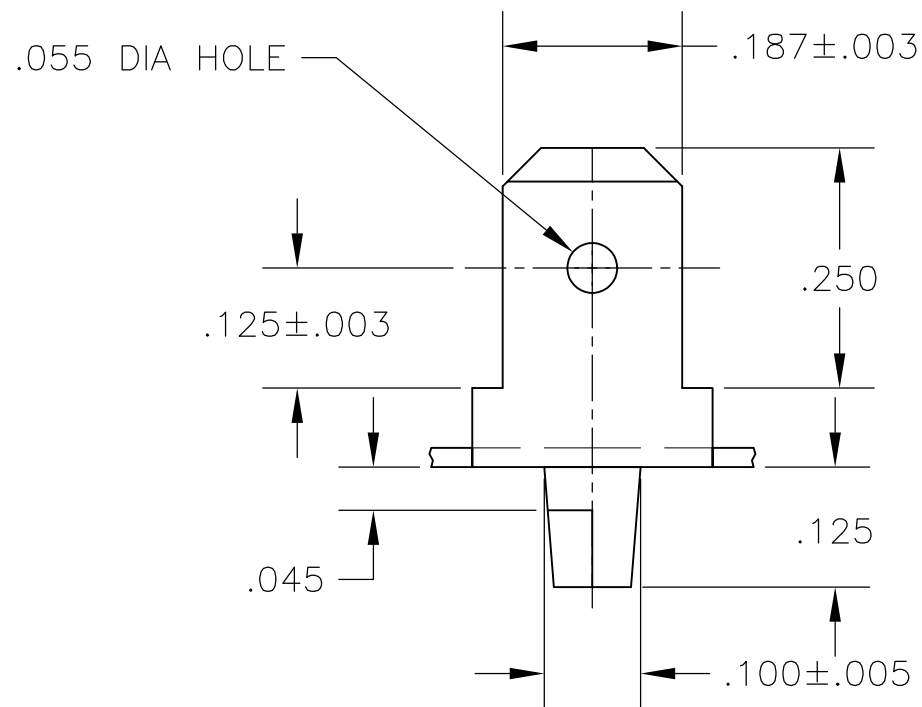
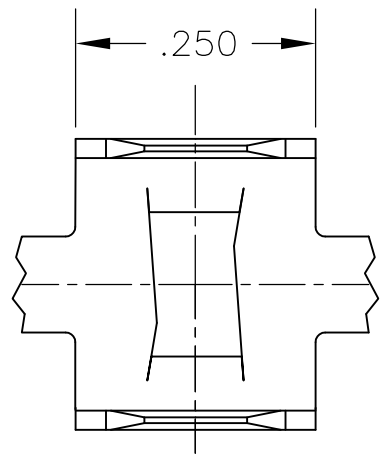
© COPYRIGHT - By -

LOC AF DIST 50

REVISIONS


P	LTR	DESCRIPTION	DATE	DWN	APVD
	S	REVISED PER ECR-13-001204	03JUN13	KH	PD

- 1 CONTINUOUS STRIP ON REELS
- 2 .000150 MIN TIN PLATE OVER .000100 MIN COPPER.



62221-1

PART NO.

THIS DRAWING IS A CONTROLLED DOCUMENT.		DWN JR RUTH 14MAR01	 <b>TE Connectivity</b>					
DIMENSIONS: INCHES		CHK MS FEHER 14MAR01						
TOLERANCES UNLESS OTHERWISE SPECIFIED:		APVD N DEIBERT 14MAR01	NAME					
0 PLC ± - 1 PLC ± - 2 PLC ± - 3 PLC ± .015 4 PLC ± - ANGLES ± -		PRODUCT SPEC -	TAB, FASTON, DUAL, STAKE, .187 SERIES					
MATERIAL BRASS		FINISH	APPLICATION SPEC -	SIZE A3	CAGE CODE 00779	DRAWING NO C-62221	RESTRICTED TO -	
		2	WEIGHT -	CUSTOMER DRAWING		SCALE 5:1	SHEET 1 OF 1	REV S